

- ◆ SWE20F is equipped with high-performance engine as well as brand pumps, valves and motors for leading configuration.
- ◆ Pilot full hydraulic control method is used for the fast and precise control of multiple elements at the same time, and automatic speed change function is provided for walking to meet the walking performance requirements under complex terrain conditions.
- ◆ With moving arm yaw, chassis expansion and contraction and other functions for excellent cooperative operation performance in small spaces. It is the true small space construction expert.
- ◆ Reinforced structure with integral cast deflection head for excellent appearance and more durable, reliable and safe structure.
- ◆ Closed and open cabins are available for clients. It has been FOPS and TOPS certified to ensure the safety of the driver.
- ◆ It is equipped with a spacious and comfortable operation space, a 5-inch LCD display, and suspension shock-absorbing seats that can improve ride comfort.
- ◆ With the flip-over seat structure, electrical parts can be serviced more conveniently. It is easy to maintain the power system by just opening the tail cover.



SWE20F

<https://dyadya-laifu.ru/>

Parameters and performance of the main machine

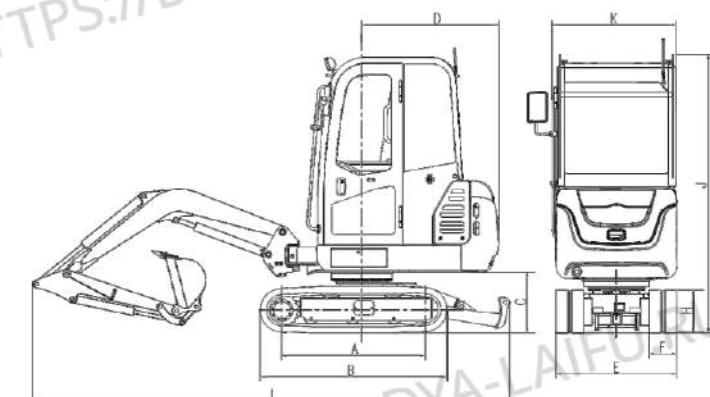
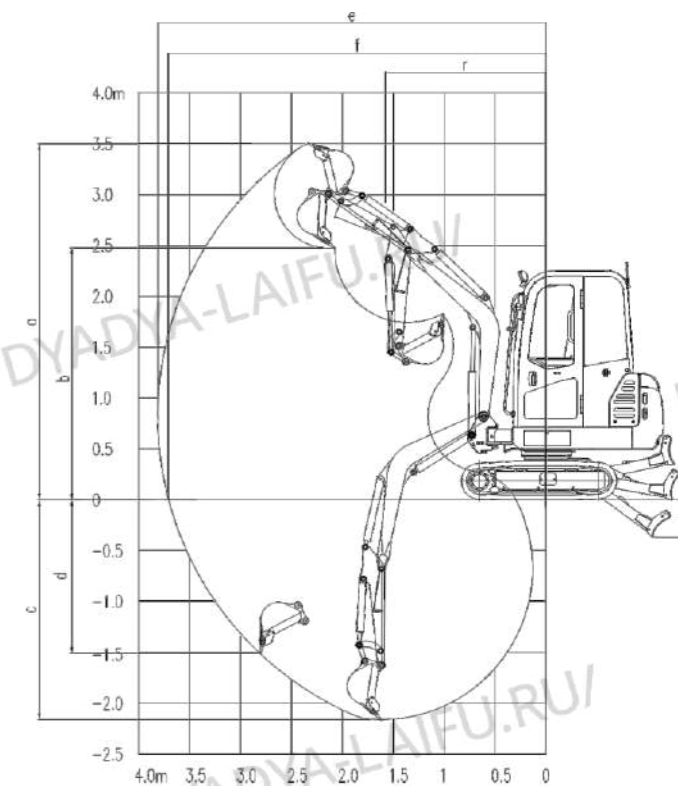
Dimension (L*W*H)	mm	3903x990x2234
Overall weight	With rubber track	t 1.94
	With steel track	t \
Standard bucket capacity	m ³	0.04
Bucket digging ability	kN	22.7
Digging force of arm	kN	9.8
Max. traction	kN	18.1
Deflection angle (boom)	°	50°(Right)75°(Left)
Travel speed (Max/Min)	km/h	3.5/2
Gradeability	°	30
Ground pressure	kPa	30
Slewing speed	rpm	10
Engine	Brand	YANMAR
	Model	3TNV80-SSU(Euro V)/3TNV80F-SSSU(US IV)
	Type	4-stroke, in line, water cooling
	Displacement	L 1.267
Power/Rotation speed	kw/rpm	13.4/2200
Fuel tank capacity	L	23
Primary pump	Type	2 variable piston pump, 1 gear pump, and 1 pilot pump
	Flow rate	L/min 2x21+13+6
Pressure of main relief valve	MPa	21/16
Hydraulic oil tank capacity	L	35

Working range

Arm length	mm	1150
a Max. digging height	mm	3770
b Max. dumping height	mm	2720
c Max. digging depth	mm	2380
d Max. vertical digging depth	mm	1870
e Max. digging radius	mm	4040
f Max. digging reach at ground level	mm	3945
g Max. lift height of the dozer blade	mm	295
h Max. digging depth of the dozer blade	mm	360
r Min. swing radius	mm	1580
Bulldozer blade length*width	mm	1360x267

Outline dimension

A Wheel tread	mm	1210	G Chassis ground clearance	mm	160
B Total track length	mm	1540	H Track height	mm	352
C Ground clearance of platform	mm	460	I Total length	mm	3903
D Platform tail slewing radius	mm	1120	J Cab roof height	mm	2234
E Chassis width	mm	990/1360	K Upper-structure width	mm	990
F Track width	mm	230			



★ The above parameters may be different due to product upgrading.