

- ◆ Tail-less slewing, moving arm deflection, easy operation in small spaces, digging ditch immediately to walls. It is easy for the whole machine to deal with a variety of complex working conditions.
- ◆ Equipped with high power engine with higher efficiency.
- ◆ The pipeline is neatly arranged to facilitate the maintenance of engine components.
- ◆ It has the automatic gear shifting function and is equipped with full hydraulic pilot control device combined with load-sensitive system, making the operation more precise and coordinated.
- ◆ The open driver cabin meeting TOPS and FOPS certification requirements has open vision field, and is safe and reliable.



SWE18UF

<https://dyadya-laifu.ru/>

Parameters and performance of the main machine

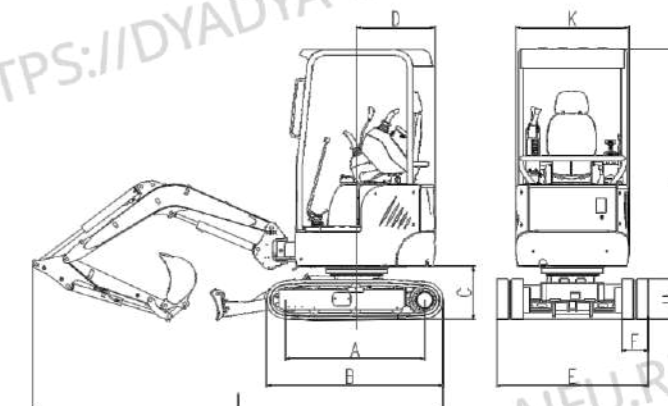
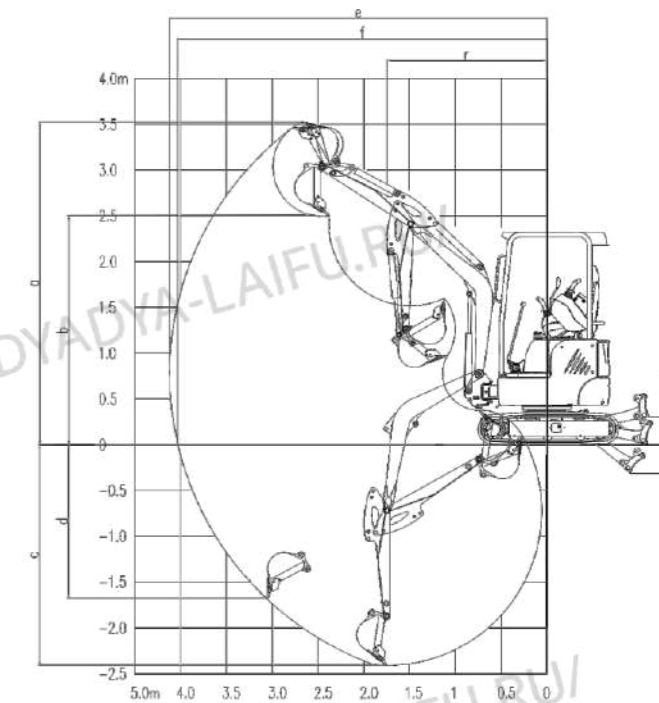
Dimension (L*W*H)	mm	3582x990x2350		
Overall weight	With rubber track	t	1.88	
	With steel track	t	\	
Standard bucket capacity	m ³	0.04		
Bucket digging ability	kN	21		
Digging force of arm	kN	12	9.83	
Max. traction	kN	16.7		
Deflection angle (boom)	°	49°(Right)71°(Left)		
Travel speed (Max/Min)	km/h	3.5/2		
Gradeability	°	30		
Ground pressure	kPa	30.3		
Slewing speed	rpm	10		
Engine	Brand	YANMAR	KUBOTA	
	Model	3TNV80-SSU(Euro V) 3TNV80F-SSSU(US IV)	D1105 (Euro V / US IV)	
	Type	L	4-stroke, in line, water cooling	
	Displacement	kw/rpm	1.1	
	Power/Rotation speed	L	13.4/2200	14/2200
	Fuel tank capacity		24.6	
Primary pump	Type	L/min	1 variable piston pump	
	Flow rate	MPa	51	
Pressure of main relief valve	L	24.5		
Hydraulic oil tank capacity		18.6		

Working range

	Arm length	mm	1150
a	Max. digging height	mm	3525
b	Max. dumping height	mm	2500
c	Max. digging depth	mm	2410
d	Max. vertical digging depth	mm	1675
e	Max. digging radius	mm	4120
f	Max. digging reach at ground level	mm	4030
g	Max. lift height of the dozer blade	mm	235
h	Max. digging depth of the dozer blade	mm	300
r	Min. swing radius	mm	1745
	Bulldozer blade length*width	mm	1320x267

Outline dimension

A	Wheel tread	mm	1210	G	Chassis ground clearance	mm	160
B	Total track length	mm	1540	H	Track height	mm	352
C	Ground clearance of platform	mm	436	I	Total length	mm	3582
D	Platform tail slewing radius	mm	680	J	Cab roof height	mm	2350
E	Chassis width	mm	990/1320	K	Upper-structure width	mm	990
F	Track width	mm	230				



★ The above parameters may be different due to product upgrading.