

- ◆ With zero-tail gyration and moving arm deflection, excellent synergistic operation could be realized;
- ◆ With the excellent sealing performance, the engine is completely isolated from the cabin, ensuring the quietness and comfort of the driver in the cabin;
- ◆ The cabin has with spacious driving environment and open vision, and is equipped with cold and warm air conditioning and suspension damping seat, providing relaxed and cozy driving experience.
- ◆ It is powerful and environmentally friendly. It has such functions as electrical throttle control and automatic idling, which could accurately match with the hydraulic system to ensure the high efficiency and low fuel consumption of the whole machine.
- ◆ Various options and configurations are available. Closed and open cabins could be selected. In addition, there are long and short bucket rods and many special bucket configurations for clients to choose for different working conditions.

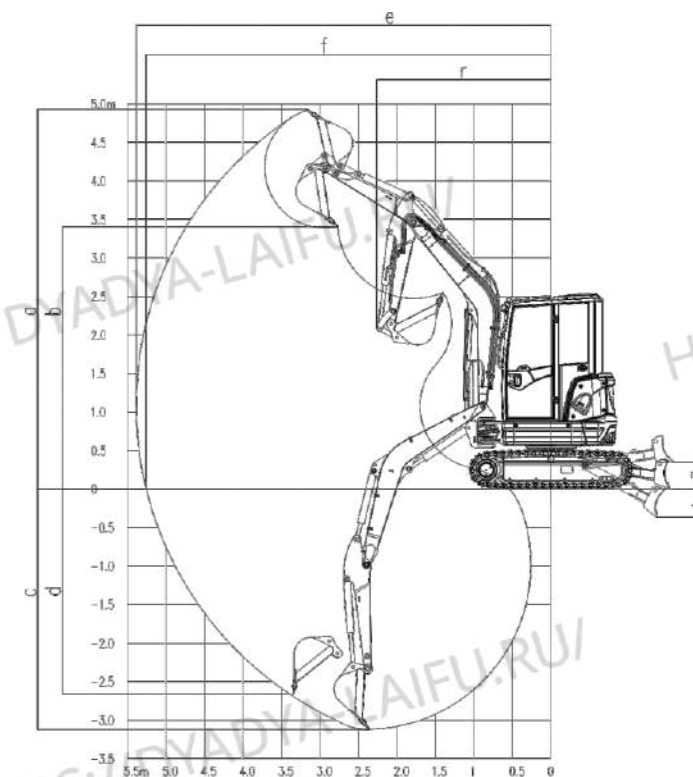


SWE35UF



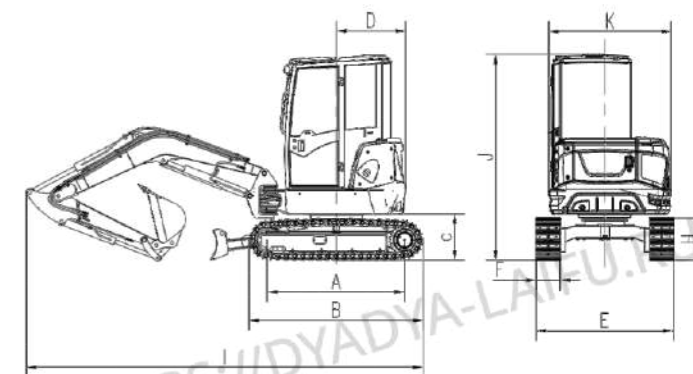
Parameters and performance of the main machine

Dimension (L*W*H)	mm	4890x1700x2555
Overall weight	With rubber track	t 3.75
	With steel track	t 3.85
Standard bucket capacity	m ³	0.11
Bucket digging ability	kN	31.8
Digging force of arm	kN	19.8\18
Max. traction	kN	33.2
Deflection angle (boom)	°	44°(Right)72°(Left)
Travel speed (Max/Min)	km/h	4.0/2.3
Gradeability	°	30
Ground pressure	kPa	34
Slewing speed	rpm	9.5
Engine	Brand	KUBOTA
	Model	D1703(Euro V / US IV)
	Type	3-cylinder, 4-stroke, water cooling
	Displacement	L 1.647
Power/Rotation speed	kw/rpm	18.2/2200
Fuel tank capacity	L	40
Primary pump	Type	1 variable piston pump
	Flow rate	L/min 1x88
Pressure of main relief valve	MPa	24.5
Hydraulic oil tank capacity	L	41



Working range

Arm length	mm	1550
a Max. digging height	mm	5045
b Max. dumping height	mm	3520
c Max. digging depth	mm	3320
d Max. vertical digging depth	mm	2860
e Max. digging radius	mm	5575
f Max. digging reach at ground level	mm	5450
g Max. lift height of the dozer blade	mm	337
h Max. digging depth of the dozer blade	mm	376
r Min. swing radius	mm	2322
Bulldozer blade length*width	mm	1700x366



Outline dimension

A Wheel tread	mm	1670	G Chassis ground clearance	mm	270
B Total track length	mm	2163	H Track height	mm	521
C Ground clearance of platform	mm	590	I Total length	mm	4890
D Platform tail slewing radius	mm	850	J Cab roof height	mm	2505
E Chassis width	mm	1700	K Upper-structure width	mm	1505
F Track width	mm	300			

★The above parameters may be different due to product upgrading.