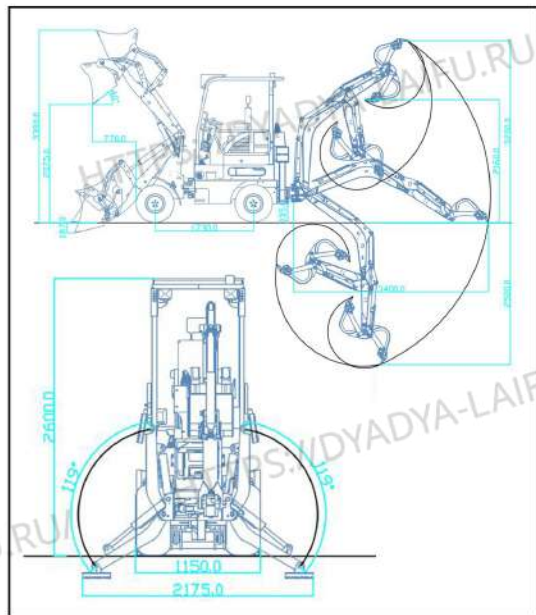


■ Real shot display



Body data	
Rated bucket loading capacity (m³)	0.23
Rated bucket excavation part (m³)	0.08
Maximum charging mass (kg)	600
Maximum discharge height (mm)	2025
Maximum excavation depth (mm)	2490
Bucket lowering time (s)	4
Boom length - loading (mm)	1680
Boom length - digging (mm)	1840
Forearm length (mm)	1190

Excavation hydraulic system	
model	CDB15-8
brand	TF
Rated pressure (MPa)	18

Basic parameters			
Overall machine mass (kg)	2250	Maximum driving speed (km/h)	12
Overall dimensions (mm)	4800 x 1150 x 2350	Gradeability(%)	20
Bucket width (mm)	1150	Minimum turning radius (m)	3.6
Wheelbase (mm)	1730	Tire specifications	26×12.00-12
Wheelbase (mm)	840	Hydraulic oil tank (L)	22
Minimum clearance from the ground (mm)	155	Fuel tank (L)	22

Diesel Engine			
engine model	Perkins / Xinchai / Kubota	Number of burns	3
Rated speed (r/min)	2800 / 3000 / 3000	Cooling method	Water cooling + hydraulic oil
Rated power (kw)	18.4 / 18.5 / 18.2	Fuel form	diesel fuel

- Please read the instruction manual carefully and use it correctly.
 - Be sure to fasten your seat belt during operation. ※Except for soft top specification
 - When driving construction machinery with a body weight of less than 3t, please receive "special education on driving construction machinery for vehicles" in advance, and be sure to participate in "skills training for driving construction machinery for vehicles" if it is more than 3t.
- R308 According to the conditions of the Occupational Safety and Health Act, the body mass may reach 1200kg
- In order to prevent breakdowns and accidents, be sure to check the machine regularly.



BACKHOE LOADER

R906E

Обзор на мини-погрузчик RIPPA R906E от Дядя Лайфу

**EXCELLENT PERFORMANCE FULLY
MEET THE NEEDS OF VARIOUS USERS.**



Обзор на мини-погрузчик RIPPA R906E от Дядя Лайфу

EXCELLENT BASIC PERFORMANCE

CAB DISPLAY



The spacious and bright cab maintains a comfortable driving



Comfortable safety seat equipped with shock absorption function to provide a more comfortable use



The steering wheel and operation panel are fully functional and easy to understand, making it easy to operate



FRONT AND BACK WINGSPAN

Equipped with strong arms at the front and rear and drive.experience.experience.



RELIABLE WORKING PERFORMANCE



Bucket



Console



A sturdy large arm



telescopic arm



Oil pipe

**EXCELLENT OPERABILITY
AND COMFORT**

PRODUCT HIGHLIGHTS

Product uses and features

It is widely used in earthwork construction machinery for highways, railways, construction, hydropower, ports, mines and other construction projects. It is mainly used for shoveling bulk materials such as soil, sand, gravel, lime, coal, etc. It can also be used for light shoveling operations on ore, hard soil, etc.

External Display



Show Details



The vehicle is equipped with heating, air conditioning, and spacious and safe seats to ensure the operator's experience. At the same time, the convenient operating system and rugged hardware configuration ensure that it can adapt to a variety of terrains and environments during use.



Обзор на мини-погрузчик RIPPA R906E от Дядя Лайфу