

- ◆ The Tail-less structure is more flexible. With the moving arm deflection function, it could be used for the works near the walls to improve construction efficiency
- ◆ High-performance power is provided to match with the new load-sensitive system. The right electric proportional auxiliary control is provided for more precise control coordination.
- ◆ The driver cabin has been optimized ergonomically to integrate operator desk, and 7-inch touch screen, to learn about the status of the machine easily.
- ◆ Detachable covering parts, full-open hood on the right side, and neat pipeline arrangement could facilitate any maintenance operations.
- ◆ The size of the lower vehicle is updated by high torque traveling motor to ensure the stability and reliability of the whole machine.



<https://dyadya-laifu.ru/>

SWE60UF



Parameters and performance of the main machine

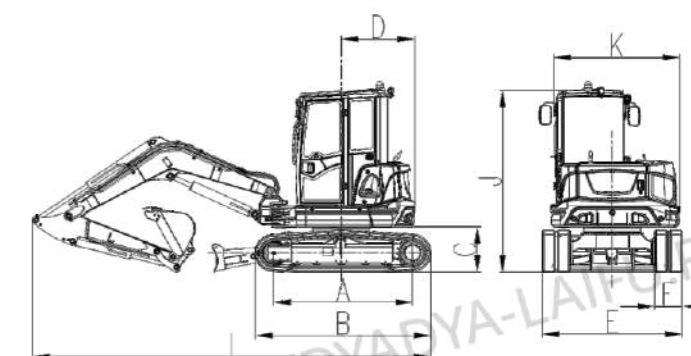
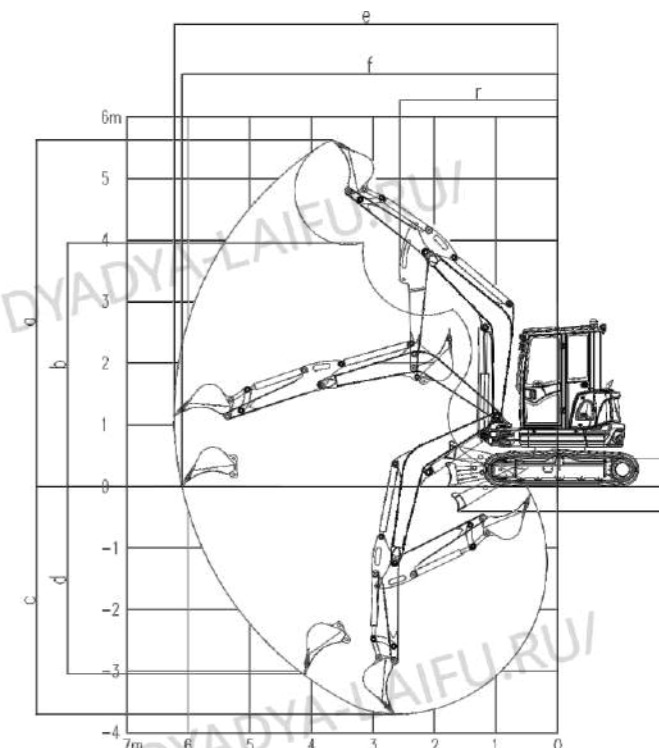
Dimension (L*W*H)	mm	5680x2000x2570	
Overall weight	With rubber track	t	6
	With steel track	t	6
Standard bucket capacity	m ³	0.18	
Bucket digging ability	kN	47	
Digging force of arm	kN	31	
Max. traction	kN	49	
Deflection angle (boom)	°	Right:47°/Left64°	
Travel speed (Max/Min)	km/h	4.0/2.4	
Gradeability	°	35°	
Ground pressure	kPa	33.3	
Slewing speed	rpm	10	
Engine	Brand	KUBOTA	
	Model	V2607(Euro V/US IV) V2607(Euro III)	
	Type	4-Cylinder, 4-stroke, water cooling	
	Displacement	L	2.6
	Power/Rotation speed	kw/rpm	35/2200
	Fuel tank capacity	L	70
Primary pump	Type	1 variable piston pump	
	Flow rate	L/min	158.4
Pressure of main relief valve	MPa	25	
Hydraulic oil tank capacity	L	70	

Working range

	Arm length	mm	1600
a	Max. digging height	mm	5593
b	Max. dumping height	mm	3965
c	Max. digging depth	mm	3690
d	Max. vertical digging depth	mm	3169
e	Max. digging radius	mm	6239
f	Max. digging reach at ground level	mm	6115
g	Max. lift height of the dozer blade	mm	400
h	Max. digging depth of the dozer blade	mm	436
r	Min. swing radius	mm	2557
	Bulldozer blade length*width	mm	2000x390

Outline dimension

A	Wheel tread	mm	1984	G	Chassis ground clearance	mm	330
B	Total track length	mm	2489	H	Track height	mm	590
C	Ground clearance of platform	mm	640	I	Total length	mm	5680
D	Platform tail slewing radius	mm	1050	J	Cab roof height	mm	2570
E	Chassis width	mm	2000	K	Upper-structure width	mm	1845
F	Track width	mm	400				



★ The above parameters may be different due to product upgrading.