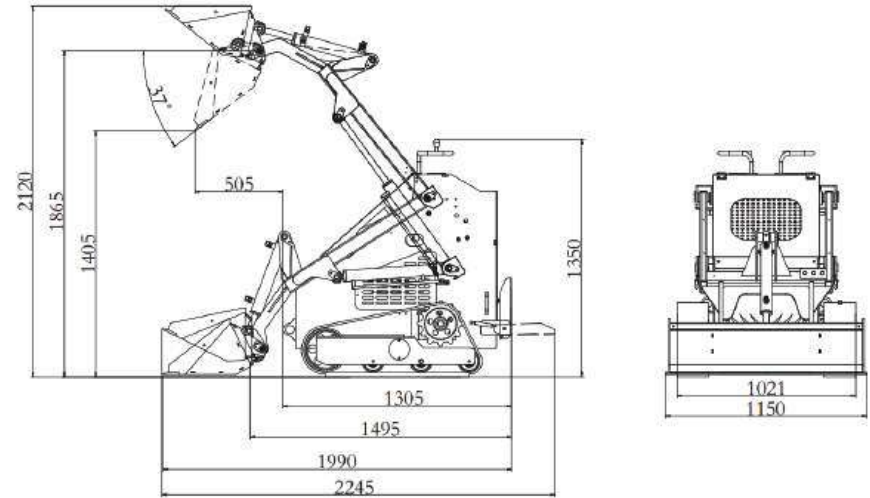
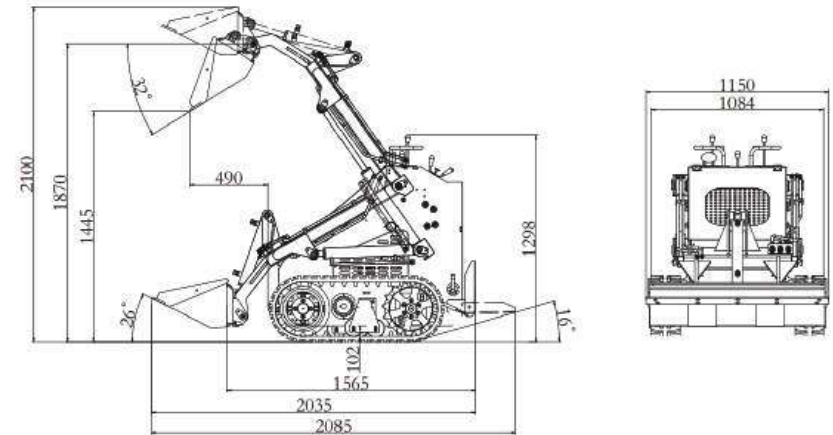


HT380T Skid Steer Loader **HOT!**



Model:HT380T				
Max working height	2120mm	Engine	RATO R740-1	Briggs&Stratton 23HP
Max pin height	1865 mm	Rated Power	16Kw	17Kw
Max Dumping height	1405 mm	Rotating speed	3600rpm	3600rpm
Max Dumping distance	575mm	Noise (Db)	≤95	≤95
Max Dumping Angle	37°	Hydraulic System		
Total height	1350 mm	Pressure (Mpa)	0-17	0-17
Ground clearance	121 mm	Flow rate	0-21.6L	0-21.6L
Wheel base		Operating Load	300 Kg	300 Kg
Overall length without bucket	1495 mm	Bucket Capacity	0.15m³	0.15m³
Total width	1021 mm	Max Lifting Force	380 Kg	380 Kg
Bucket width	1150mm	Travel Speed	0-4.5Km/h	0-4.5Km/h
Total length with bucket	2245 mm	Operating Weight	890 Kg	890 Kg
overall length without the bucket after folding the pedal.	1990 mm	Oil		
		Fuel tank	20L	20L
		Engine oil	1.7L	1.7L
		Hydraulic tank	37L	37L

HT380S Skid Steer Loader



Model:HT380S				
Max working height	2100mm	Engine	RATO R740-1	Briggs&Stratton 23HP
Max pin height	1870 mm	Rated Power	16Kw	17Kw
Max Dumping height	1445 mm	Rotating speed	3600rpm	3600rpm
Max Dumping distance	485mm	Noise (Db)	≤95	≤95
Max Dumping Angle	32°	Hydraulic System		
Total height	1300mm	Pressure (Mpa)	0-17	0-17
Ground clearance	100mm	Flow rate	0-21.6L	0-21.6L
Wheel base	680	Operating Load	890Kg	890 Kg
Overall length without bucket	1650 mm	Bucket Capacity	0.15m³	0.15m³
Total width	1120 mm	Max Lifting Force	380 Kg	380 Kg
Bucket width	1150mm	Travel Speed	0-4.5Km/h	0-4.5Km/h
Total length with bucket	2085mm	Operating Weight	890 Kg	890 Kg
overall length without the bucket after folding the pedal.	2035 mm	Oil		
		Fuel tank	20L	20L
		Engine oil	1.7L	1.7L
		Hydraulic tank	37L	37L



Attachments for Mini Steer Loader



Sweeper/Gutter Brush



Water Kit



Advancing Sweeper



Breaker



Spreader



Auger



Bit



Tree Spade



Planer



Road Cutting Saw



Wheel Saw



Guardrail Cleaner



Landscape Rake



Stone screening machine



Double Trencher



Rock Bucket



Blower



Guardrail translation machine



Stabilized soil mixer



Angle Broom



Dozer Blade



Dozer Blade



Ditch Compactor



Lawn paver



Electric Control Angle Broom



Snow Blower



High throwing snow tube



Scraper



Manhole Cover Milling Machine



Plate Compactor



Floor hammer



Hydraulic shear



Snow Blade



Snow Bucket



Snow V -Blade



Drum ice machine



Hedge Trimmer



Multi-Function



Cattle in bed Ripper



Dung pushing device



Soft Clamp



Fork Clamp



Haystack Reclamation Machine



Utility Fork



Grapple Rake



Heavy Grass Fork



Grapple Bucket



Brush Cutter



Soil Tiller



Steel Tracks



Tyre protection chain



Rubber track outside tire



Closed Bucket



Side dump bucket



Pallet Fork



Side Shift Pallet Fork



Bucket Mixer



Backhoe Arm



Swing Backhoe Arm



Backhoe



Floor Grinder



Pile Driver



Rear Support



Multi section crane



Beach cleaner



Mixer



Sling



Simple manure pushing machine



Seeder



Forest Mulcher



4 in 1 Bucket



Bale Fork



Digger



Stump Grinder



Ripper



Mower



Brush Cutter



Tree Saw



High speed tree saw



Land Plane



Tree Puller



Standard Bucket



Curved bucket



Flat clamp



Rock Bucket Grapple



Vibratory Roller



Grader



High Dump Bucket



Hydraulic winch



Tilt-TatchTM



Automatic quick change rack